

BoscoLighting's Amphitrite Waterproof Downlights can be used both indoors and outdoors with protection against the moist environment. Rated at IP65, it would be used in areas of high dust levels and damp environments.

It is suitable for residential apartments and commercial premises, areas such as bathrooms, toilets, and exterior applications.

Contact our lighting specialist for more information!

Downlight Amphitrite

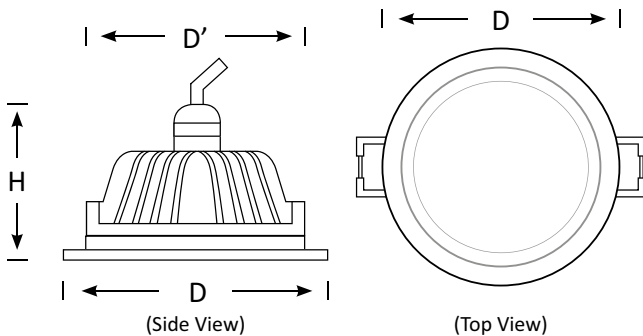


Features

- Easy installation
- LED Driver Included
- Supplied with Flex & Plug
- IP65 waterproof

Applications

- Kitchens or bathrooms
- Building eaves or corridors
- Residential and commercial projects



| | | |
|------------|-----------|--------------------------------|
| 120° | IP 65 | AC 220-240V |
| >80 CRI | 92 CRI | 3 Yrs Warranty |
| | | 35000 @ L90 B10 Lifetime |

| Product Code | BLDL-APT-08 | BLDL-APT-12 | BLDL-APT-20 | BLDL-APT-30 |
|-------------------|---|-------------|-------------|-------------|
| Power (W) | 8 | 12 | 20 | 30 |
| Luminous Flux(lm) | 800 | 1200 | 2000 | 2700 |
| CCT | Warm White, Neutral White, Cool White (3000K-6000K) | | | |
| Connect | AU Standard Flex & Plug | | | |
| Dimming Options | Various dimming options available on request | | | |
| Dimensions(mm) | D90*H67 | D108*H72 | D190*H70 | D236*H65 |
| Cutout(mm) | D'75 | D'95 | D'170 | D'210 |
| Weight(kg) | 0.3 | 0.5 | 0.8 | 1.2 |